

PRODUCT CODE: SB1B
CONDUIT SOLID BEND



DESCRIPTION

20mm Conduit Solid Bend

FINISH

Black Enamel

MATERIAL

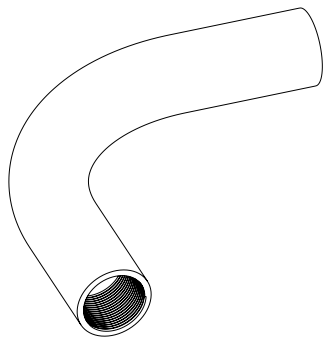
Steel

PACKAGING

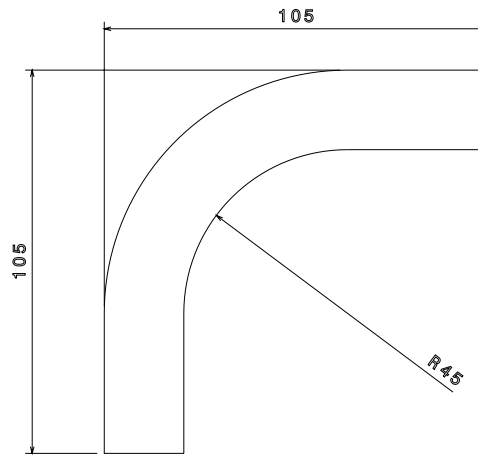
Packed in qty 10

ADDITIONAL NOTES

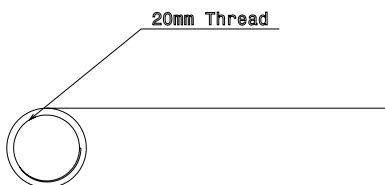
Conforms to BS EN61386-1
Compliant to LU Standard 1-085 (for use on surface & sub-surface locations)



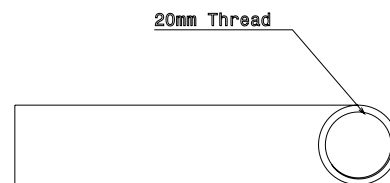
Isometric view



Top view



Right view



Left view